

Front Grille Insert Package Installation (Instruction ID: 84312871)

Installation Instructions Part Number

84312871

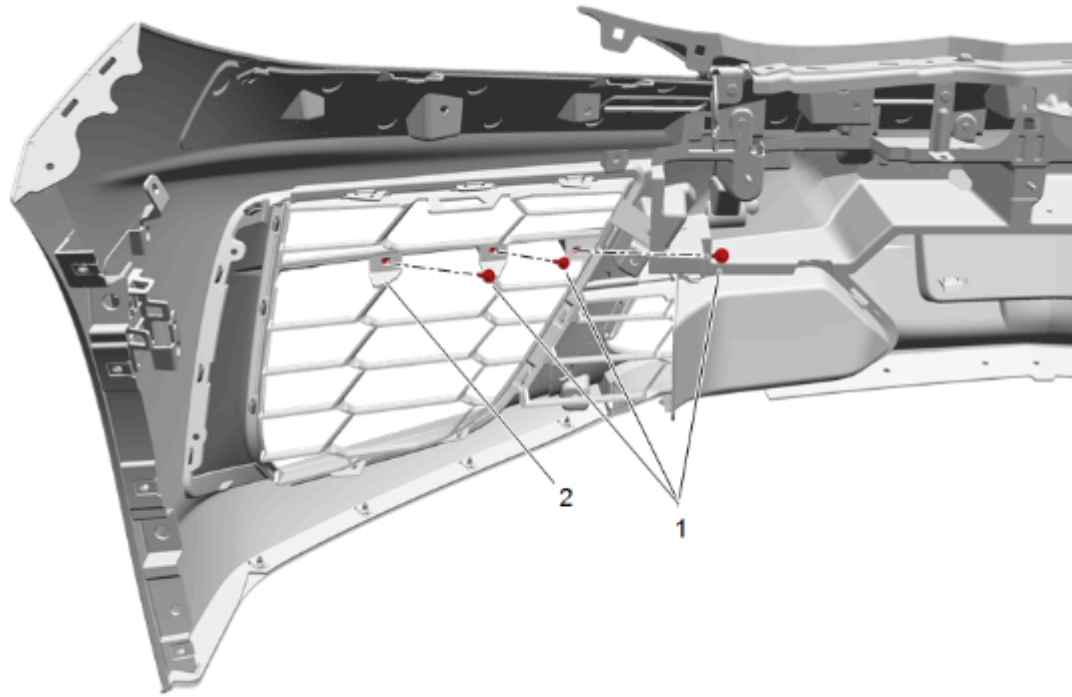
Kit Contents

Qty	Description
1	Left Grille Insert
1	Right Grille Insert
1	Attachment Package
1	Installation Instructions

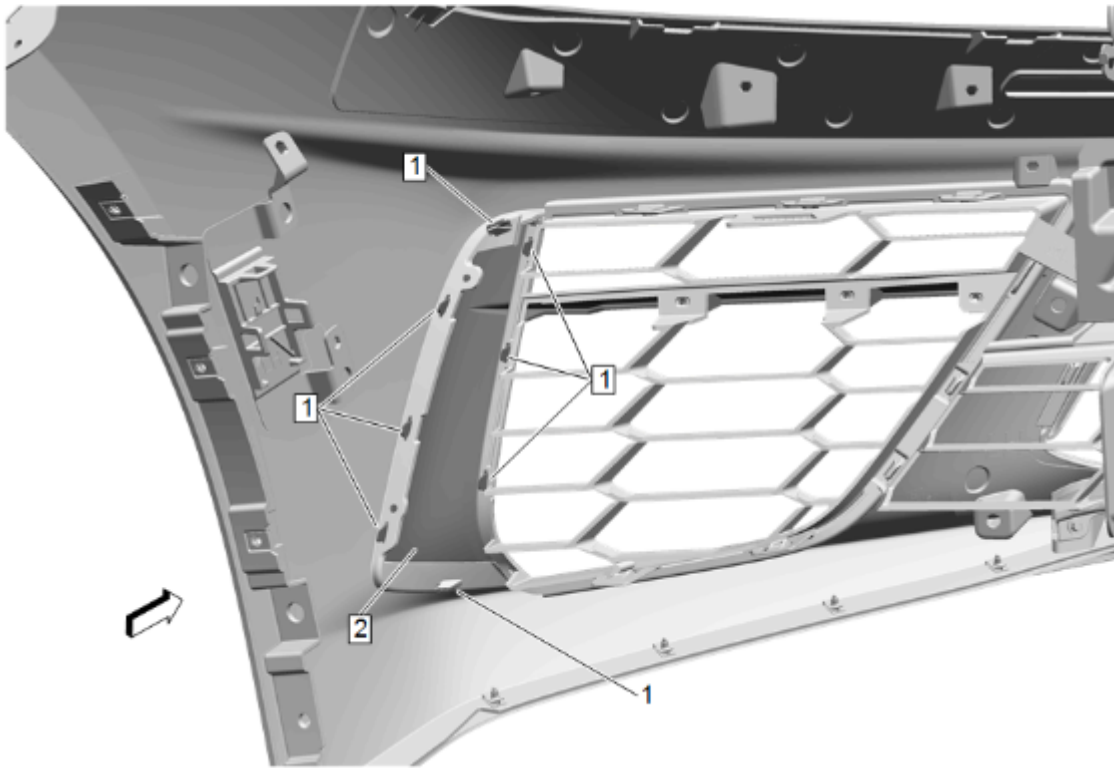
[Procedure](#)

Remove Production Grille Insert

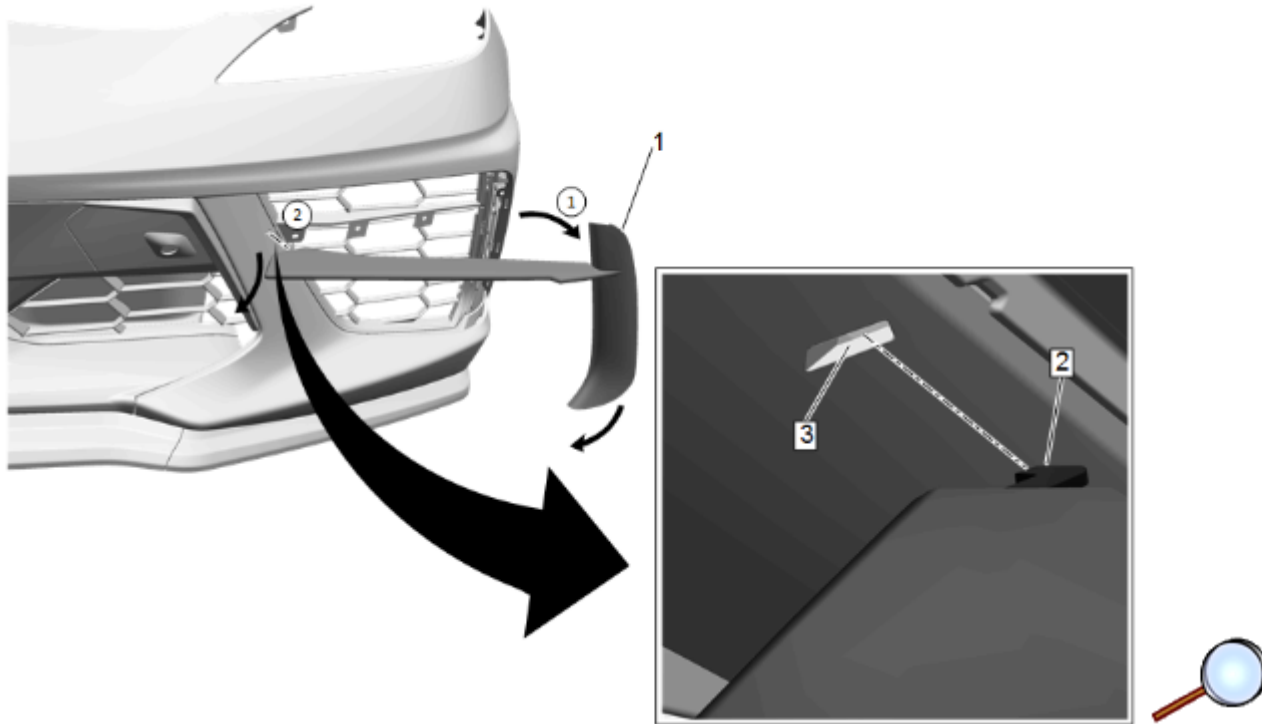
1. Remove the front bumper fascia. Refer to [Front Bumper Fascia Removal and Installation](#) in Vehicle Service Manual.
2. Place front bumper fascia on a clean surface that will not damage the paint.



3. On the backside of the front bumper fascia, remove the screws (1) on the center horizontal bar to grille (2).

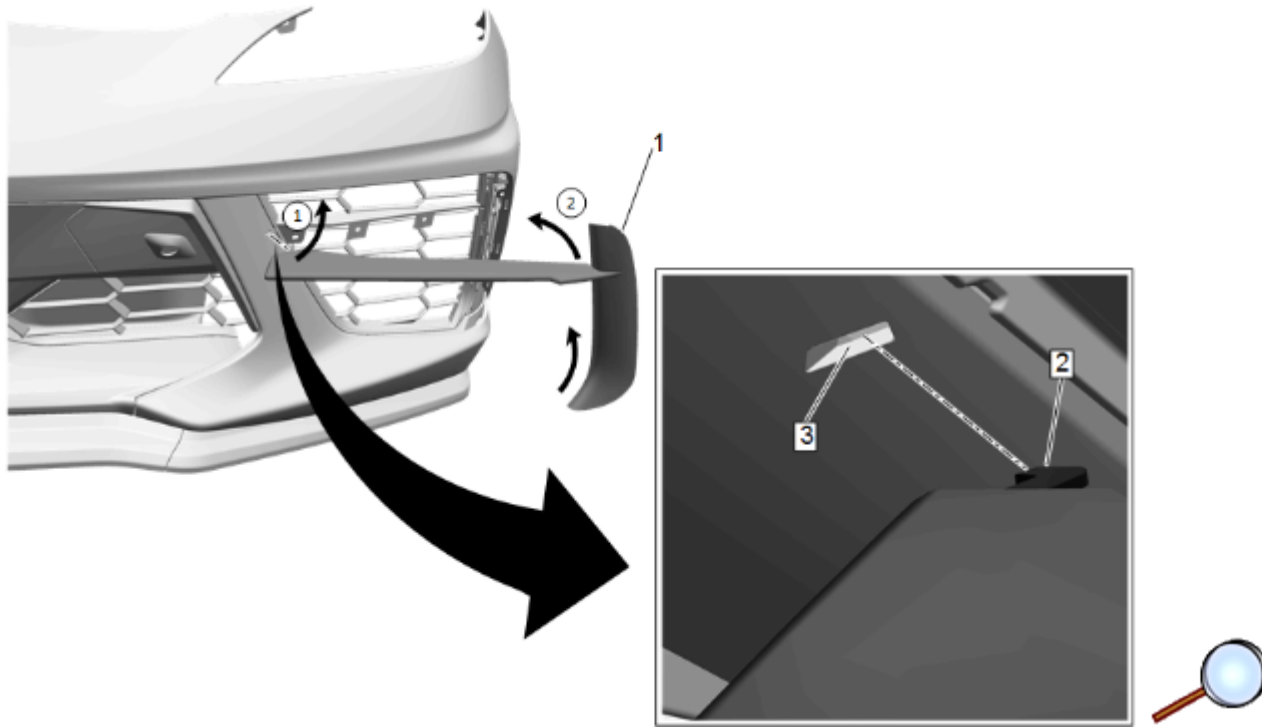


4. Disengage the solid snaps (1) along the vertical interface of the grill insert (2) to the front bumper fascia.

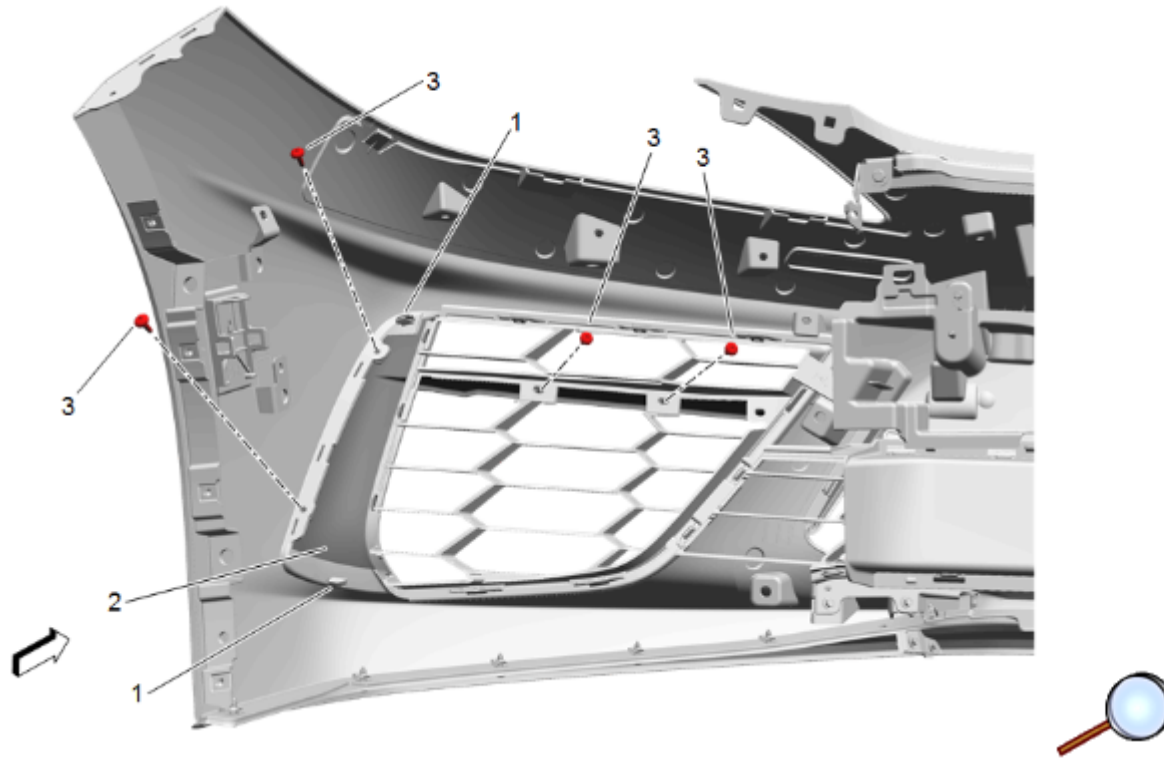


5. Pull and rotate the outside of grille insert (1) first and then disengage the inboard hook (2) of grille insert from the front bumper fascia (3).
6. Repeat steps 2 through 5 for opposite side.

Install New Grille Insert



1. Insert the inboard hook (2) of new grille insert (1) into the front bumper fascia (3) and then position the outside of new grill insert to front bumper fascia.



2. Engage the top and bottom snap features (1) of new grille insert (2) to the front bumper fascia.

Caution: Use the correct fastener in the correct location. Replacement fasteners must be the correct part number for that application. Fasteners requiring replacement or fasteners requiring the use of thread locking compound or sealant are identified in the service procedure. Do not use paints, lubricants, or corrosion inhibitors on fasteners or fastener joint surfaces unless specified. These coatings affect fastener torque and joint clamping force and may damage the fastener. Use the correct tightening sequence and specifications when installing fasteners in order to avoid damage to parts and systems.

3. Locate the attachment package and install the M4 screws (3) securing the grille insert to the front bumper fascia. Tighten the M4 screws to 2.5 N.m (22 lb in).

4. Re-install the front bumper fascia. Refer to [Front Bumper Fascia Removal and Installation](#) in Vehicle Service Manual.